

TYPE WRA-WRS RAINDROP

HOLLOW CONE SPRAY

DEHAVAN
Spray Technologies



SPRAY CHARACTERISTICS

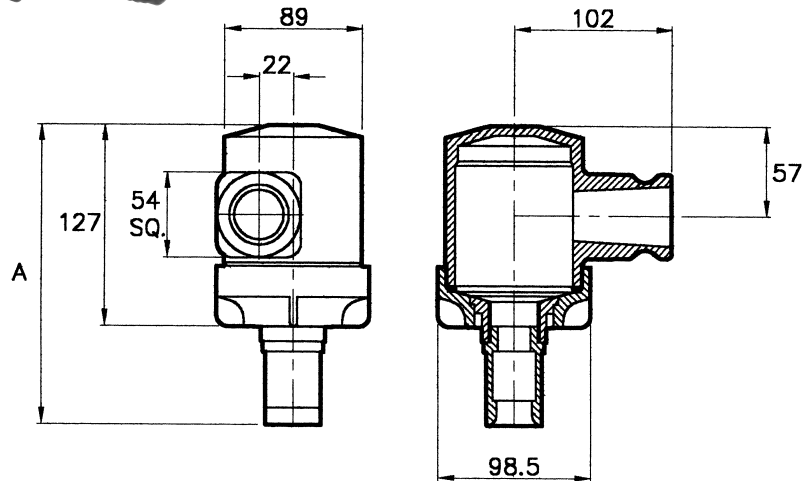
- Produces a wide hollow cone spray pattern with uniform distribution of large aerated droplets.
- The "Raindrop" feature significantly reduces the amount of driftable "fines" (under 100 microns).
- Will operate at low differential pressures.
- Spray angles widen as the spray pressure increases.

CONSTRUCTION AND MATERIALS

- Moulded in Glass filled Polypropylene.
- Clog resistant design with no internal vanes or cores.
- Incorporates a removable screwed cap, with 'O' ring seal for ease of cleaning of the swirl chamber and orifice assembly.
- 1 1/2" WRA has an adaptor inlet to suit quick couplers.
- 1 1/2" WRS has a 1 1/2" Male BSPT thread inlet.
- Pressed in orifice and "Raindrop" cap can be changed to alter the flow capacity.

ORDER EXAMPLE

- 1 1/2" WRS 30-RD (Threaded Inlet).
- 1 1/2" WRD 75-RD (Adaptor Inlet).



Maximum Recommended
Pressure: 7 Bar.G.

CAPACITY CHART

NOZZLE NUMBERS		MINIMUM ORIFICE SIZE (mm)	"A" (mm)	FLOW RATE IN LITRES/MIN AT Bar.G.							NOMINAL SPRAY ANGLE (°) AT 1,5 Bar.G.
ADAPTOR	THREADED			0,5	0,7	1,0	1,5	2,0	2,5	3,0	
WRA 12-RD	WRS 12-RD	6,4	168	28	33	39	47	53	60	65	120
WRA 14-RD	WRS 14-RD	9,1	168	32	38	45	55	62	71	77	125
WRA 16-RD	WRS 16-RD	10,3	167	36	43	51	63	72	81	88	130
WRA 30-RD	WRS 30-RD	15,9	177	68	81	96	118	136	152	166	130
WRA 32-RD	WRS 32-RD	19,0	177	72	86	102	126	145	162	177	135
WRA 40-RD	WRS 40-RD	20,7	190	91	108	129	158	182	203	222	135
WRA 49-RD	WRS 49-RD	24,0	175	112	132	158	194	224	250	274	110
WRA 63-RD	WRS 63-RD	26,0	175	144	170	203	249	287	321	352	110
WRA 75-RD	WRS 75-RD	33,3	193	169	201	240	293	338	378	414	100

Contact our Helpline for any special requirements:
Tel: +44 (0) 151 424 6821
Fax: +44 (0) 151 495 1043
e-mail: sales@delavan.co.uk
Web: www.delavan.co.uk

