



SPRAY CHARACTERISTICS

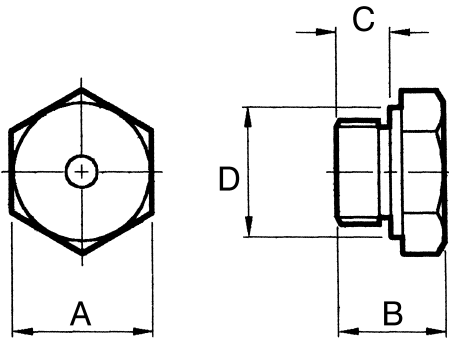
- Uniform distribution of droplets in a solid cone spray pattern.
- Droplet size is larger than in hollow cone nozzles of equal capacity.
- Impact of spray is generally greater with narrower spray angles, assuming the same flow rate. Pressure increases affect spray angle.

CONSTRUCTION AND MATERIALS

- One piece body with pressed-in, cross-milled core which is removable.
- Core imparts the necessary swirl to produce a solid cone spray pattern.
- Hexagon body for easy installation eliminates distortion of orifice during installation.
- Supplied with Male BSPP thread only.
- Brass and 316 Stainless Steel are standard.
- Other materials available to special order.

ORDER EXAMPLE

1/2" CBI 42 Brass.



DIMENSIONS AND WEIGHTS

Thread Size	Dimensions (mm)				Weight (g)
	A Hex	B	C	D Dia	
1/8"	14,0	10,7	6,4	12,7	10
1/4"	18,0	14,0	7,0	16,5	20
3/8"	20,8	20,0	10,0	20,0	32
1/2"	25,7	25,4	12,7	24,9	63
3/4"	31,8	33,3	15,9	31,0	105
1"	38,0	47,6	19,1	38,0	210

Maximum Recommended Pressure:
35 Bar.G. (Metal), 7 Bar.G. (Plastic).

CAPACITY CHART

NOZZLE NUMBER	BSPP THREAD SIZE						FLOW RATE IN LITRES/MIN AT Bar.G.												SPRAY AT Bar.G.		
	1/8	1/4	3/8	1/2	3/4	1	ANGLES (°)												7	2	6
							0,35	0,7	1	1,5	2	3	4	6	7	8					
CBI 6							0,88	1,25	1,50	1,88	2,18	2,65	2,87	3,41	3,54	3,76	40	47	40		
CBI 8							1,30	1,86	2,28	2,84	3,23	4,00	4,55	5,38	5,72	5,97	44	56	53		
CBI 11							1,63	2,32	2,87	3,62	4,05	4,87	5,36	6,30	6,74	7,06	52	64	58		
CBI 12							2,09	2,79	3,41	4,09	4,55	5,30	5,91	7,02	7,58	8,01	62	70	58		
CBI 16							2,50	3,58	4,41	5,30	6,14	7,27	8,00	9,51	10,04	10,61	57	60	55		
CBI 20							3,11	4,46	5,46	6,50	7,54	9,06	10,00	11,92	12,63	13,43	62	73	58		
CBI 22							3,58	5,11	6,24	7,51	8,32	9,78	10,91	13,23	14,24	14,95	70	80	62		
CBI 12							2,00	2,79	3,32	4,19	4,73	5,83	6,60	7,79	8,17	8,65	36	45	39		
CBI 16							2,50	3,58	4,41	5,30	6,14	7,27	8,00	9,51	10,04	10,61	57	60	55		
CBI 20							3,11	4,46	5,46	6,50	7,54	9,06	10,00	11,92	12,63	13,43	61	73	58		
CBI 22							3,58	5,11	6,24	7,51	8,32	9,78	10,91	13,23	14,24	14,95	70	80	62		
CBI 27							4,23	6,04	7,42	9,01	10,10	12,32	13,64	16,06	17,47	18,08	44	53	51		
CBI 32							5,81	7,25	8,88	10,81	12,32	14,44	15,96	19,29	20,40	22,12	60	70	61		
CBI 27							4,23	6,04	7,42	9,01	10,10	12,32	13,64	16,06	17,47	18,08	44	53	51		
CBI 32							5,81	7,25	8,88	10,81	12,32	14,44	15,96	19,29	20,40	22,12	60	70	61		
CBI 42							6,74	9,67	11,82	14,44	15,96	19,29	21,41	24,95	27,37	28,48	70	76	64		
CBI 49							8,17	11,62	14,24	16,36	18,69	23,13	15,05	29,29	32,52	33,94	79	86	72		
CBI 63							10,20	14,44	17,07	20,50	23,84	28,89	32,22	38,48	41,31	43,94	80	86	70		
CBI 47							7,48	10,61	13,03	14,95	17,78	21,11	26,63	28,48	30,20	31,71	43	57	42		
CBI 63							10,20	14,44	17,07	20,50	23,84	28,89	32,22	38,48	41,31	43,94	60	69	53		
CBI 77							12,32	17,68	20,50	23,94	29,09	34,95	38,68	45,65	49,29	52,02	70	73	60		
CBI 89							13,94	20,00	23,74	29,39	33,63	40,00	44,54	52,92	56,26	59,29	82	85	67		
CBI 102							14,85	20,91	27,37	33,73	38,68	46,26	50,00	60,10	64,54	67,87	85	97	74		
CBI 73							11,92	16,26	20,00	22,62	27,78	34,24	38,68	45,65	50,00	52,02	35	41	44		
CBI 105							16,26	23,23	27,78	33,73	39,79	48,18	52,32	62,42	67,37	71,51	51	57	49		
CBI 123							19,49	28,38	34,64	42,32	46,56	57,77	63,63	75,95	80,40	85,55	66	73	57		
CBI 140							22,73	32,02	38,18	45,25	53,23	62,12	68,18	80,80	85,95	90,90	75	81	52		
CBI 162							25,55	36,26	44,64	53,03	61,41	72,22	79,08	95,14	101,00	108,07	74	86	63		
CBI 193							28,79	41,81	50,10	60,70	73,23	87,57	99,08	119,18	128,27	135,34	82	100	80		

Contact our Helpline for any special requirements:
Tel: +44 (0) 151 424 6821
Fax: +44 (0) 151 495 1043
e-mail: sales@delavan.co.uk
Web: www.delavan.co.uk

